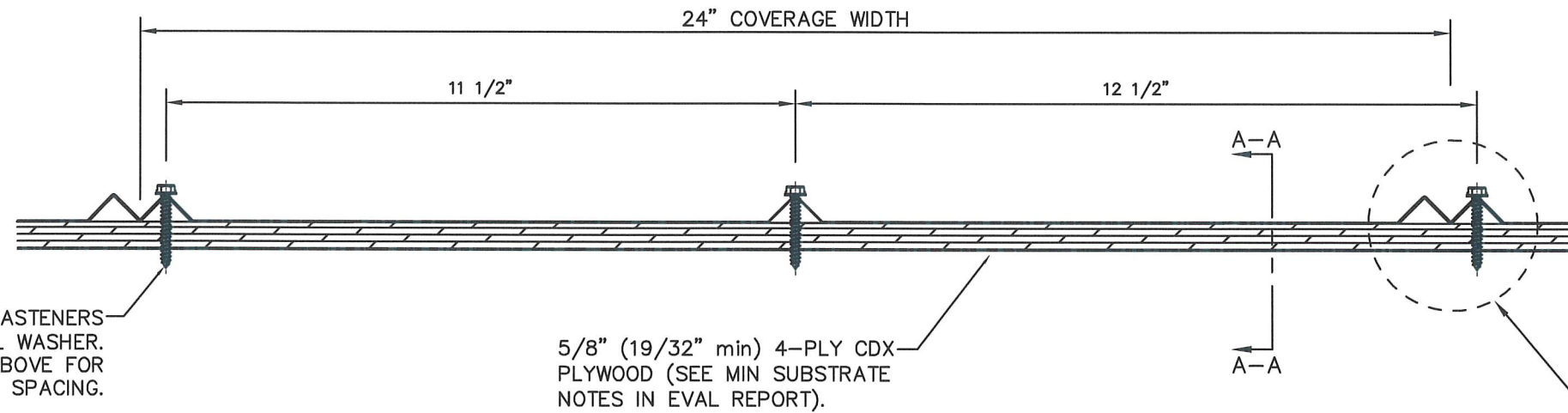
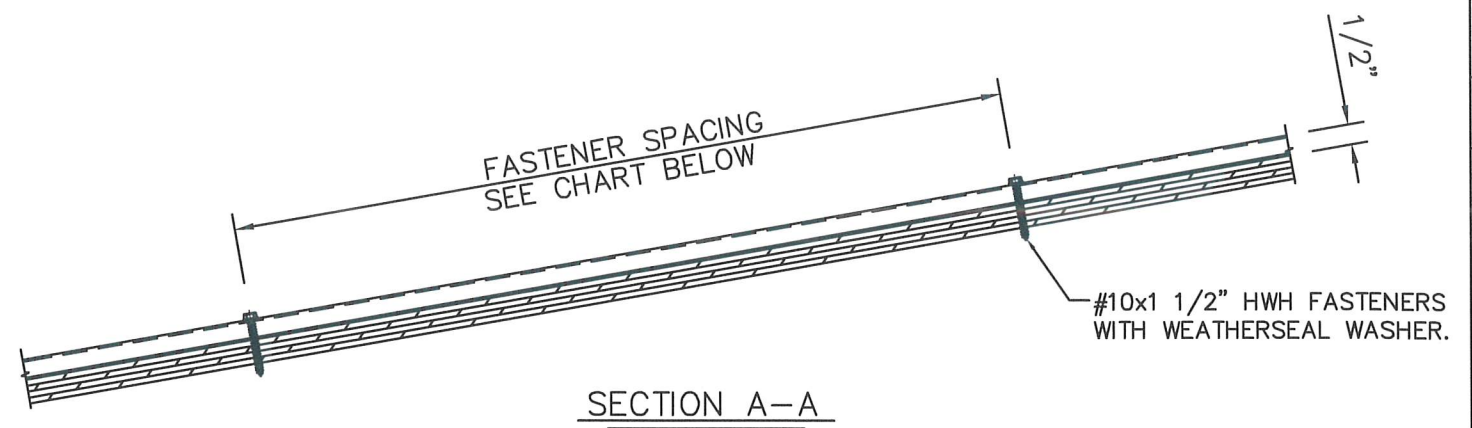


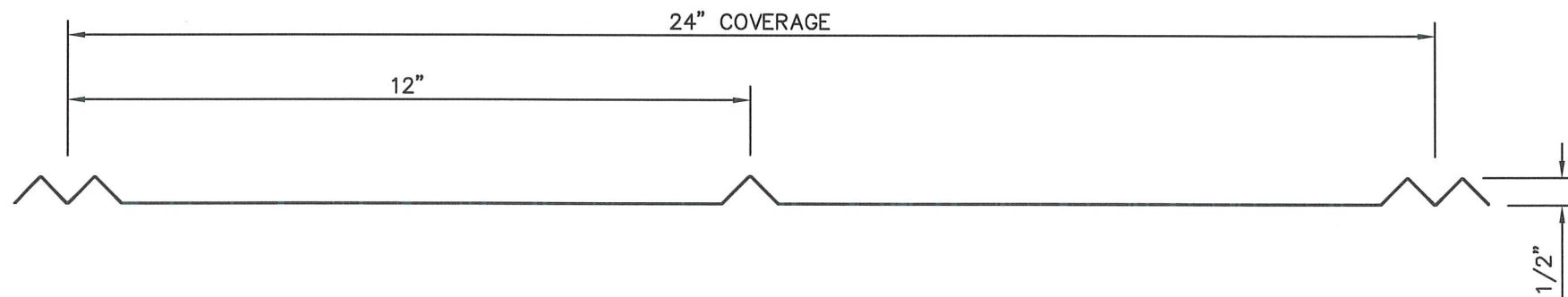
SENTRIGARD 5V 0.032" ALUMINUM ROOF PANEL
24" WIDE x 1/2" 5V PANELS OVER 5/8" PLYWOOD

MAX DESIGN PRESSURE	
-101 Psf	(12" FASTENER SPACING)
-116 Psf	(6" FASTENER SPACING)



#10x1 1/2" HWH FASTENERS WITH WEATHERSEAL WASHER. SEE CHART ABOVE FOR SPACING.

5/8" (19/32" min) 4-PLY CDX PLYWOOD (SEE MIN SUBSTRATE NOTES IN EVAL REPORT).



PANEL PROFILE

GENERAL NOTES:

1. ROOF SLOPE IS LIMITED PER THE REQUIREMENTS OF FBC SECTION 1515.2.
2. DESIGN OF SUBSTRATE IS BY OTHERS AND NOT A PART OF THIS APPROVAL.
3. SEE EVAL REPORT FOR UNDERLAYMENT, FIRE BARRIER, AND DECK FASTENER INFO.
4. ALL PANEL SYSTEM PERIMETERS, PENETRATIONS, AND TRANSITIONS TO BE FLASHED AND SEALED PER THE MANUFACTURER'S INSTALLATION INSTRUCTIONS AND RAS 133.

REV #	DATE	PRINTS ISSUED FOR
1	8/22/24	1



SCOTT WALTERS
 FL PE# 62354
 WALTERS ENGINEERING
 (COA# 27194)
 15211 97TH ROAD N
 WEST PALM BEACH, FL 33412
 (561) 225-1982

SENTRIGARD
METAL ROOFING SYSTEMS

PH: (434) 847-2445
 www.sentrigard.com

65 10TH STREET
 LYNCHBURG, VA 24504

DWG: SG5VA24-HZ
 SHEET: 1/1