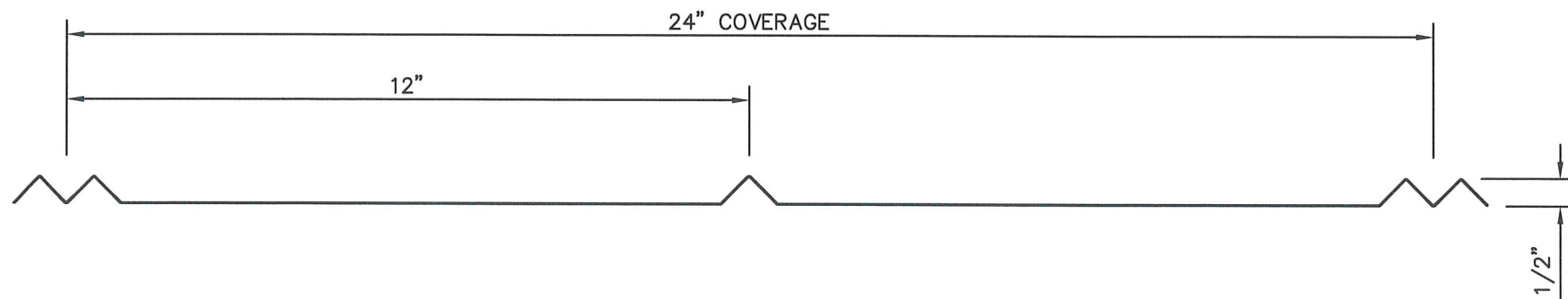
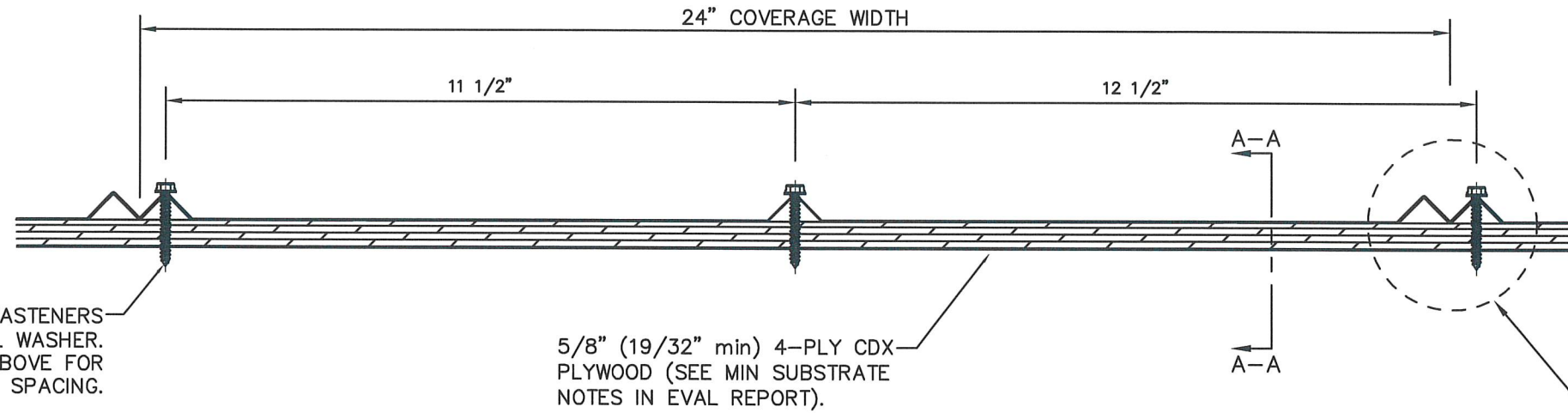
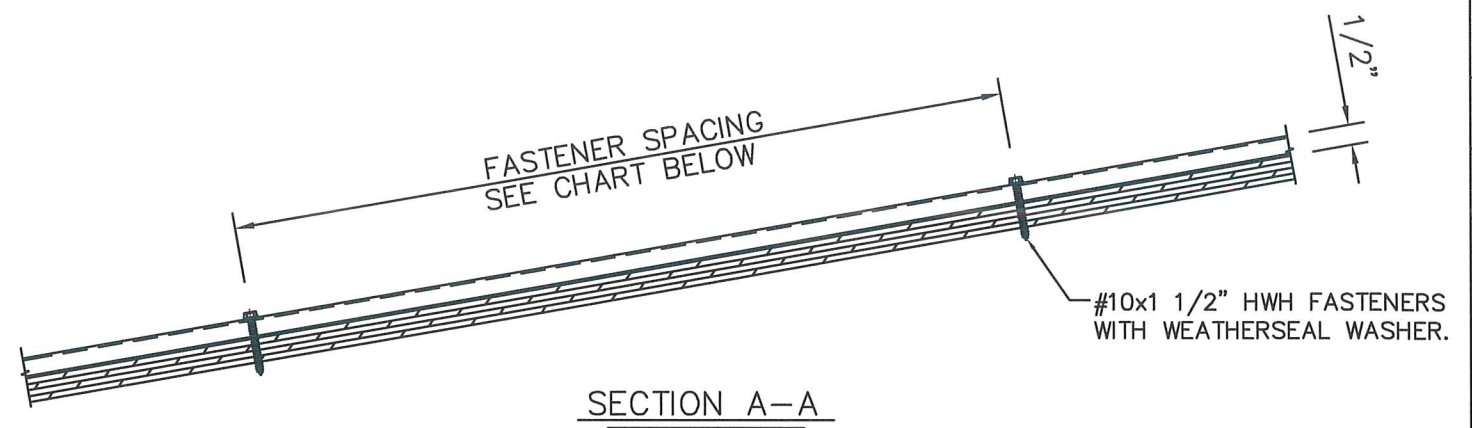


SENTRIGARD 5V 0.032" ALUMINUM ROOF PANEL
24" WIDE x 1/2" 5V PANELS OVER 5/8" PLYWOOD

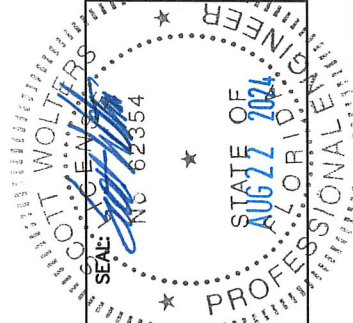
MAX DESIGN PRESSURE	
-101 Psf	(12" FASTENER SPACING)
-116 Psf	(6" FASTENER SPACING)



PANEL PROFILE

GENERAL NOTES:

1. ROOF SLOPE IS LIMITED PER THE REQUIREMENTS OF FBC SECTION 1507.4.2.
2. DESIGN OF SUBSTRATE IS BY OTHERS AND NOT A PART OF THIS APPROVAL.
3. SEE EVAL REPORT FOR UNDERLAYMENT, FIRE BARRIER, AND DECK FASTENER INFO.
4. ALL PANEL SYSTEM PERIMETERS, PENETRATIONS, AND TRANSITIONS TO BE FLASHED AND SEALED PER THE MANUFACTURER'S INSTALLATION INSTRUCTIONS AND RAS 133.



SCOTT WOLTERS
 FL PE# 62354
 WOLTERS ENGINEERING
 (COA# 27194)
 15211 97TH ROAD N
 WEST PALM BEACH, FL 33412
 (561) 225-1982

SENTRIGARD
 METAL ROOFING SYSTEMS



DWG: **SG5VA24**
 SHEET: **1/1**

PH: (434) 847-2445
 www.sentrigard.com

65 10TH STREET
 LYNCHBURG, VA 24504

REV.#	DATE	ISSUED FOR
1	8/22/24	TEST SUBMITTAL