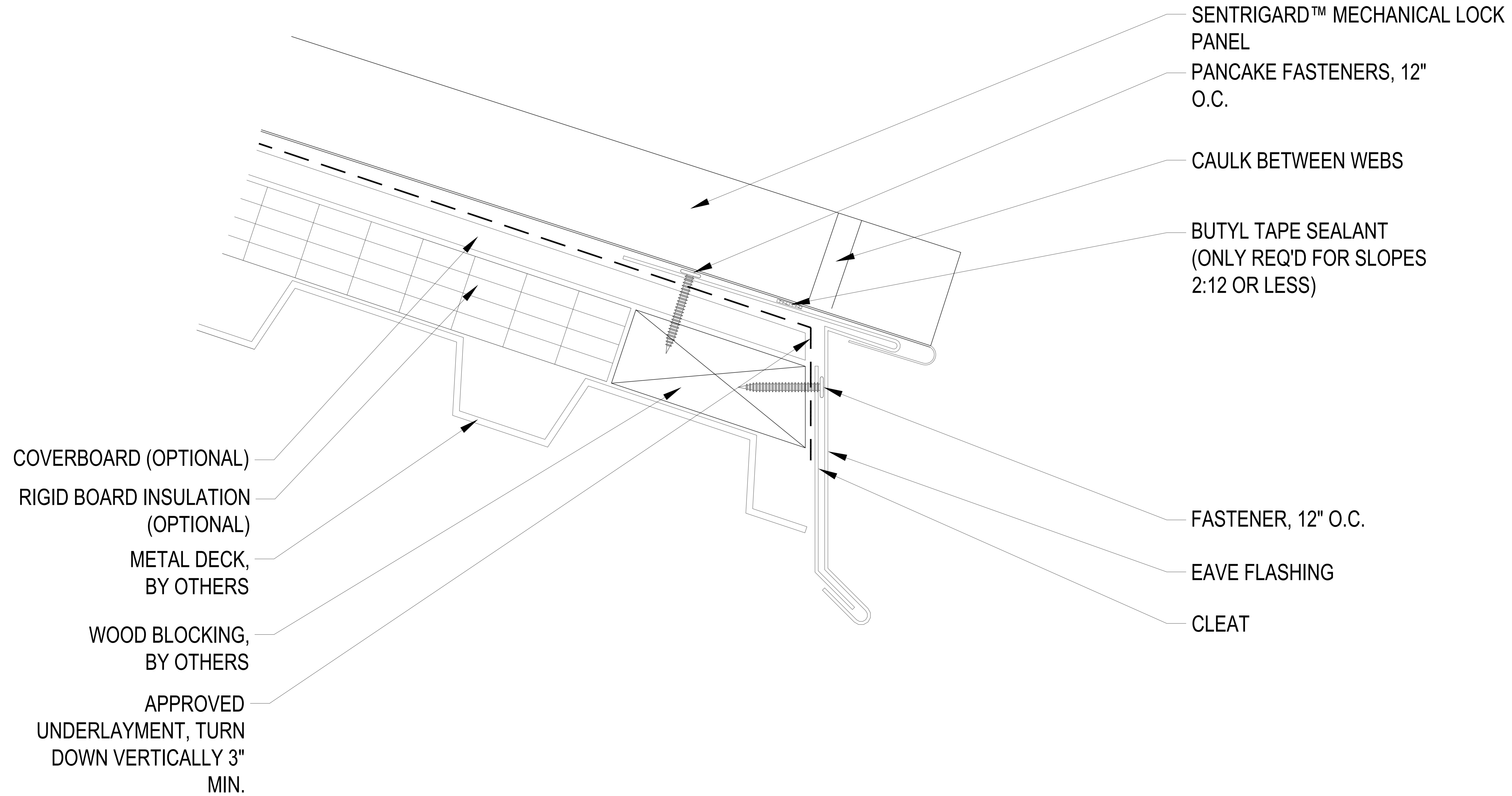




**EAVE DETAIL E-1**  
**STEEL SUBSTRATE**



12-20" NOMINAL



- COVERBOARD (OPTIONAL)
- RIGID BOARD INSULATION (OPTIONAL)
- METAL DECK, BY OTHERS
- WOOD BLOCKING, BY OTHERS
- APPROVED UNDERLAYMENT, TURN DOWN VERTICALLY 3" MIN.

- SENTRIGARD™ MECHANICAL LOCK PANEL
- PANCAKE FASTENERS, 12" O.C.
- CAULK BETWEEN WEBS
- BUTYL TAPE SEALANT (ONLY REQ'D FOR SLOPES 2:12 OR LESS)
- FASTENER, 12" O.C.
- EAVE FLASHING
- CLEAT

\*\*\*DETAILS SHOWN FOR ILLUSTRATION PURPOSES ONLY.  
-FASTENERS MUST PENETRATE DECK PER POSTED SENTRIGARD TESTING  
-FASTENER SPACING MUST BE BASED ON PROJECT SPECIFIC LOADS

Rev. 1, Sept. 2024

**MECHANICAL LOCK**  
ARCHITECTURAL STANDING SEAM ROOFING SYSTEM

From project control, panel design, and material options to rigorous testing, on-site fabrication, and technical design support, Sentrigard™ Metal Systems bring everything together. Sentrigard™ is a known and respected market leader in metal roofing systems with over 30 years of supplying thousands of jobs with metal, roll forming equipment, and Technical Services.

**RTS@SENTRIGARD.COM**  
1000 DILLARD DR.  
FOREST, VA 24551  
P:877.495.7663  
I:SENTRIGARD.COM