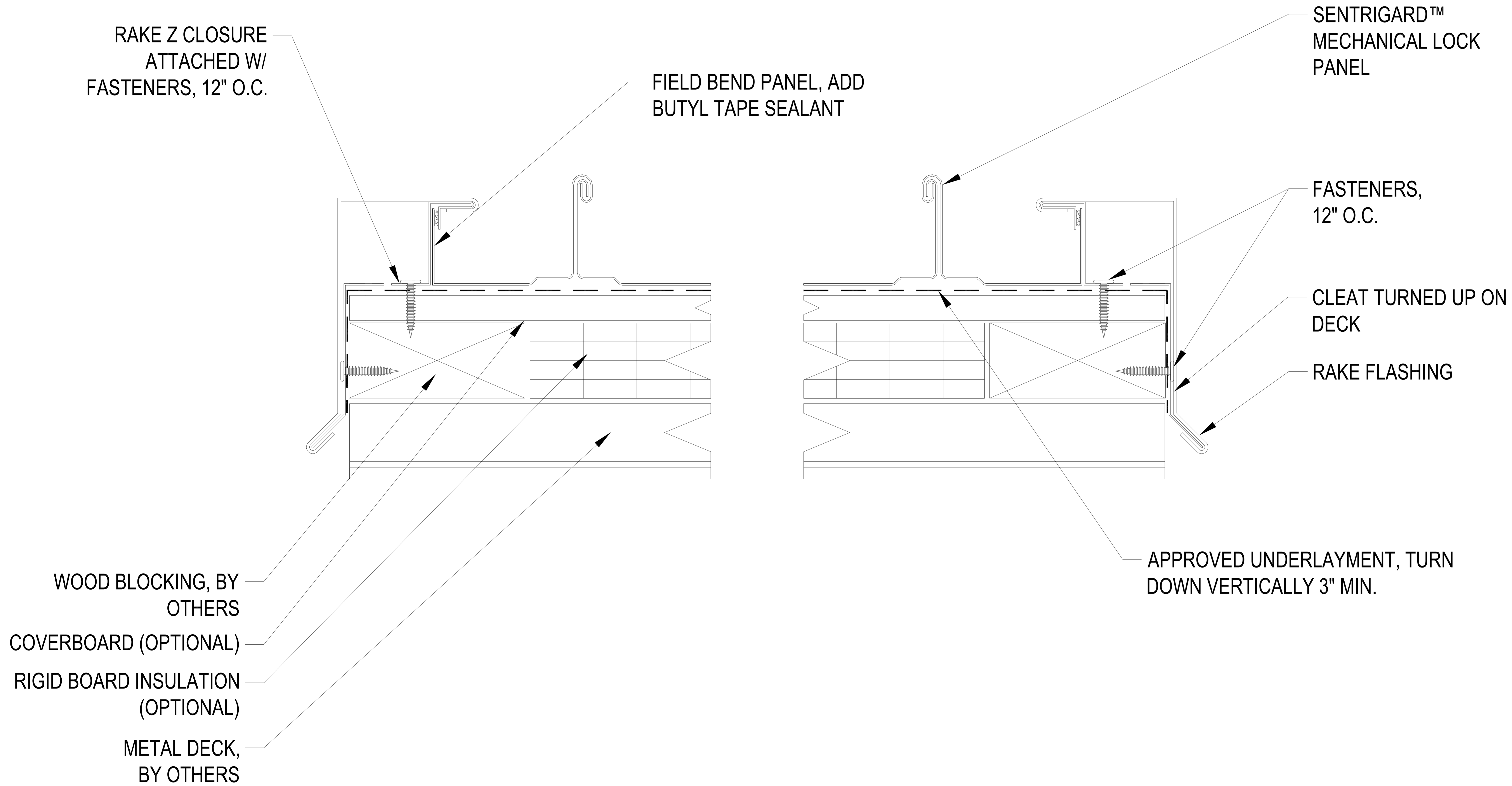




RAKE HVHZ DETAIL RKHZ-1
STEEL SUBSTRATE



***DETAILS SHOWN FOR ILLUSTRATION PURPOSES ONLY.
 -FASTENERS MUST PENETRATE DECK PER POSTED SENTRIGARD TESTING
 -FASTENER SPACING MUST BE BASED ON PROJECT SPECIFIC LOADS

Rev. 1, Sept. 2024

MECHANICAL LOCK
 ARCHITECTURAL STANDING SEAM ROOFING SYSTEM

From project control, panel design, and material options to rigorous testing, on-site fabrication, and technical design support, Sentrigard™ Metal Systems bring everything together. Sentrigard™ is a known and respected market leader in metal roofing systems with over 30 years of supplying thousands of jobs with metal, roll forming equipment, and Technical Services.

RTS@SENTRIGARD.COM
 1000 DILLARD DR.
 FOREST, VA 24551
 P:877.495.7663
 I:SENTRIGARD.COM