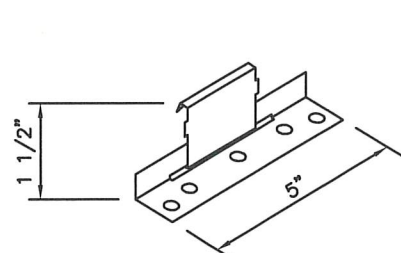


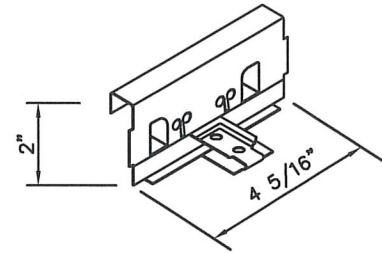
SENTRIGARD ML150 SERIES 0.032" ALUMINUM ROOF PANEL 20" WIDE x 1 1/2" STANDING SEAM PANELS OVER 5/8" PLYWOOD WITH SINGLE (90°) SEAM

CLIP TYPE	CLIP SPACING (in)	MAX DESIGN PRESSURE (psf)
STANDARD CLIP	12	-108.5
EXPANSION CLIP	12	-63.5
XL CLIP	6	-78.5
CLIP	12	-108.5

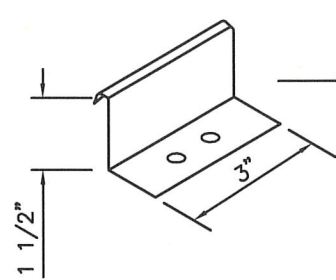
CLIP OPTIONS



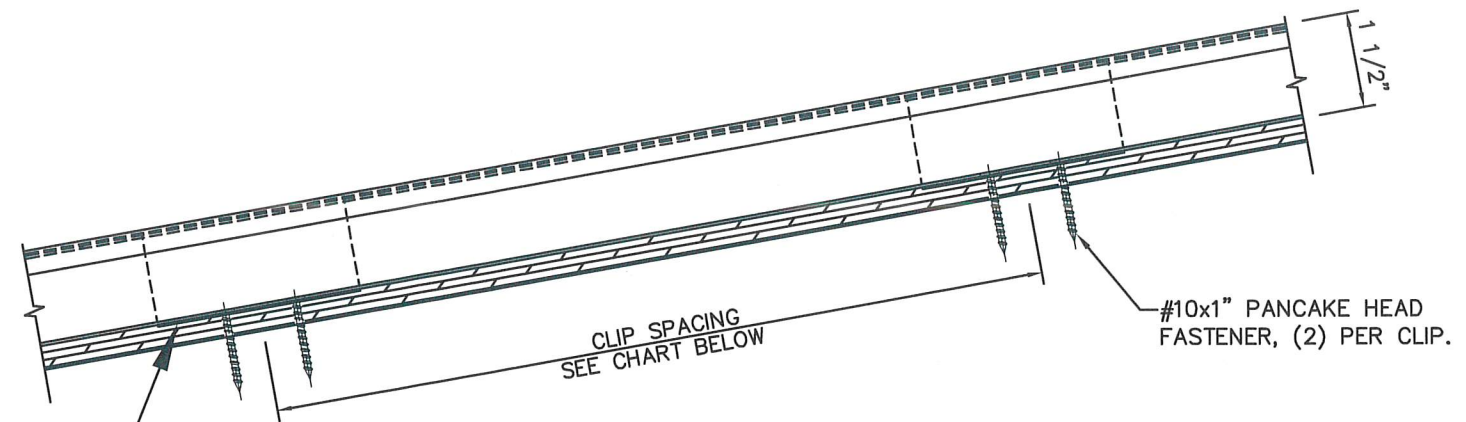
XL CLIP
26/24 Ga. GALVANIZED STEEL
or
26/24 Ga. STAINLESS STEEL



EXPANSION CLIP
16/22 Ga. GALVANIZED STEEL
or
16/22 Ga. STAINLESS STEEL

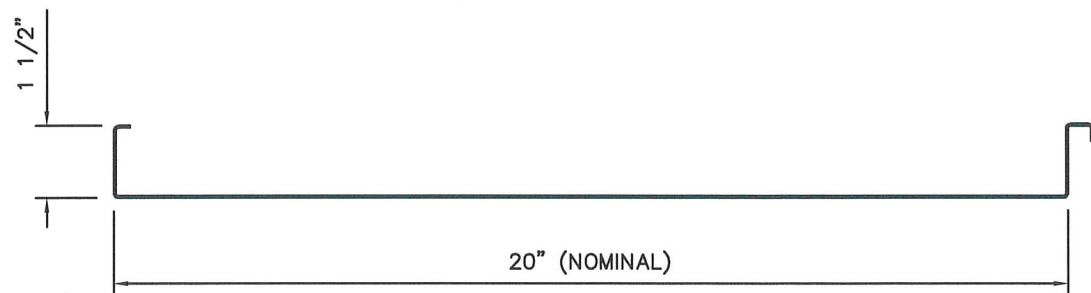
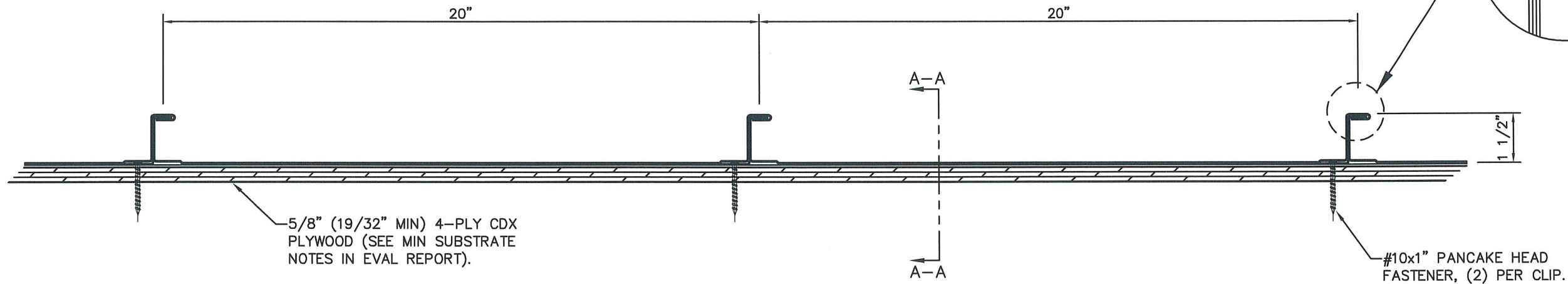
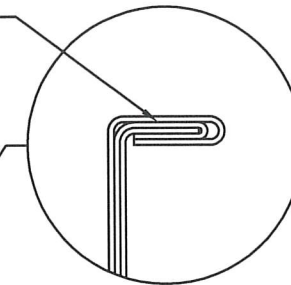


STANDARD CLIP
24 Ga. GALVANIZED STEEL
or
24 Ga. STAINLESS STEEL



SECTION A-A

SINGLE (90°) SEAM.



PANEL PROFILE

GENERAL NOTES:

1. ROOF SLOPE IS LIMITED PER THE REQUIREMENTS OF FBC SECTION 1507.4.2.
2. DESIGN OF SUBSTRATE IS BY OTHERS AND NOT A PART OF THIS APPROVAL.
3. SEE EVAL REPORT FOR UNDERLAYMENT, FIRE BARRIER, AND DECK FASTENER INFO.
4. ALL PANEL SYSTEM PERIMETERS, PENETRATIONS, AND TRANSITIONS TO BE FLASHED AND SEALED PER THE MANUFACTURER'S INSTALLATION INSTRUCTIONS AND RAS 133.

REV.#	DATE	PRINTS ISSUED FOR
3	6/25/24	REVISION
2	5/1/24	REVISION
1	2/27/24	REVISION
-	1/4/24	LIST SUBMITTAL

SCOTT WOLTERS
FL PE# 62354
WOLTERS ENGINEERING
(COA# 27194)
15211 97TH ROAD N
WEST PALM BEACH, FL 33412
(561) 225-1982

STATE OF FLORIDA
JUN 25 2024
PROFESSIONAL ENGINEER
SEAL: SCOTT WOLTERS
No 62354

SENTRIGARD
METAL ROOFING SYSTEMS

PH: (434) 847-2445
www.sentrigrard.com

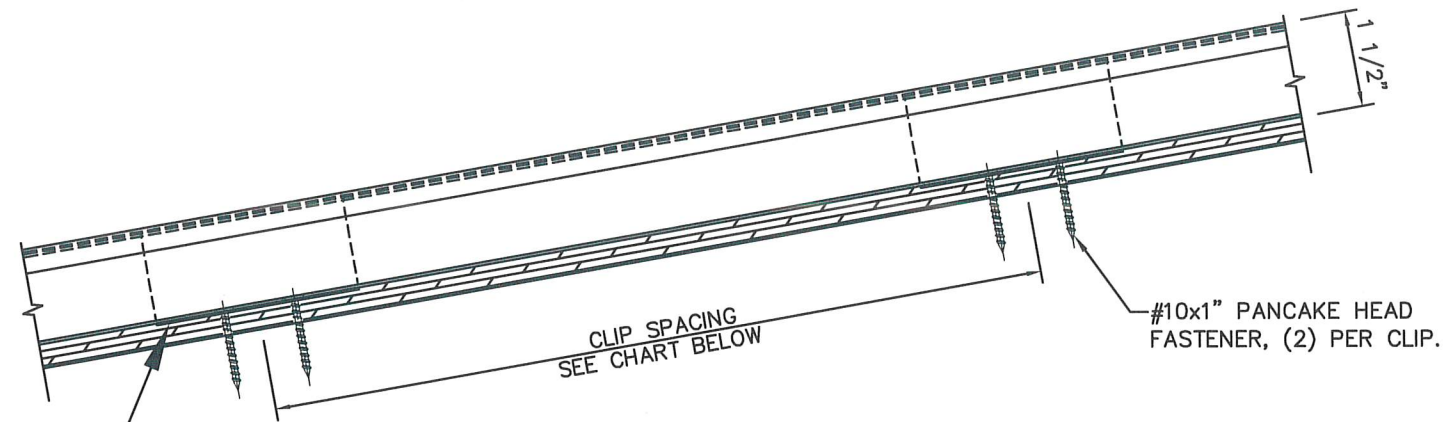
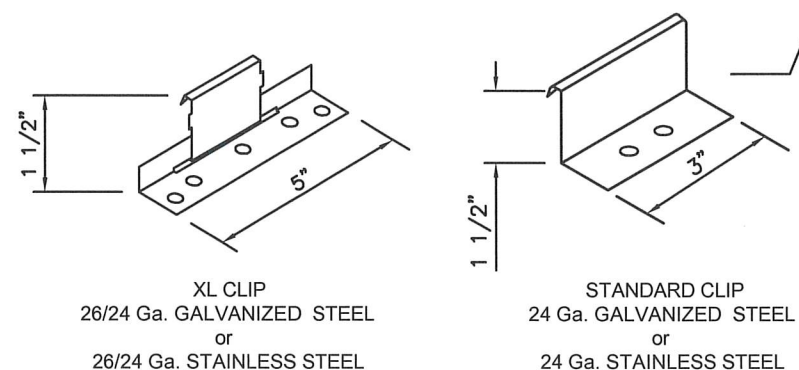
65 10TH STREET
LYNCHBURG, VA 24504

DWG: ML15A20
SHEET: 1/2

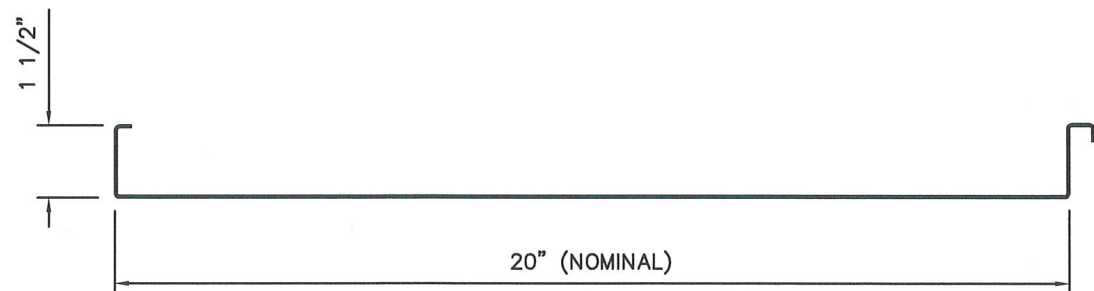
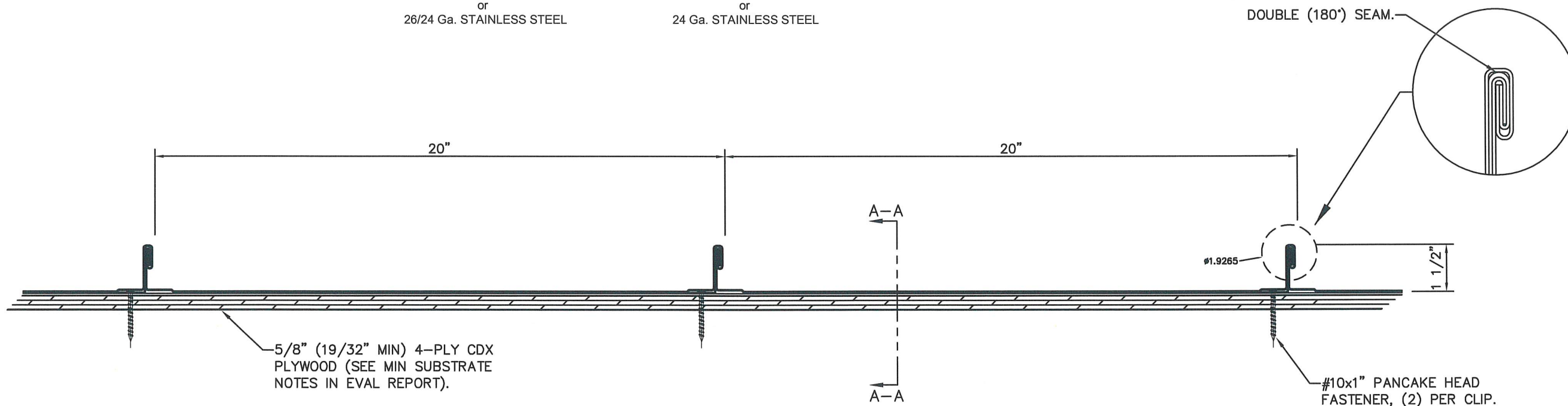
SENTRIGARD ML150 SERIES 0.032" ALUMINUM ROOF PANEL
20" WIDE x 1 1/2" STANDING SEAM PANELS OVER 5/8" PLYWOOD
WITH DOUBLE (180°) SEAM

CLIP TYPE	CLIP SPACING (in)	MAX DESIGN PRESSURE (psf)
STANDARD CLIP	12	-153.5
	24	-146
XL CLIP	12	-153.5
	24	-146

CLIP OPTIONS



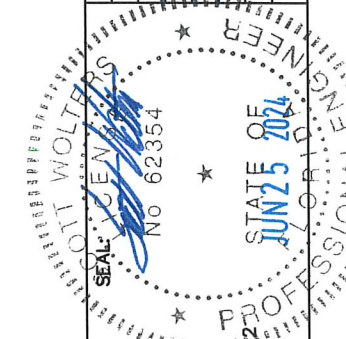
SECTION A-A



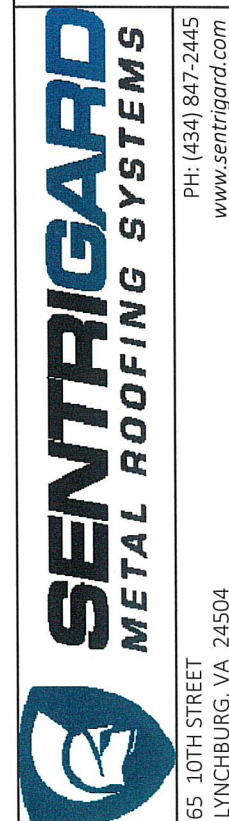
PANEL PROFILE

GENERAL NOTES:

1. ROOF SLOPE IS LIMITED PER THE REQUIREMENTS OF FBC SECTION 1507.4.2.
2. DESIGN OF SUBSTRATE IS BY OTHERS AND NOT A PART OF THIS APPROVAL.
3. SEE EVAL REPORT FOR UNDERLAYMENT, FIRE BARRIER, AND DECK FASTENER INFO.
4. ALL PANEL SYSTEM PERIMETERS, PENETRATIONS, AND TRANSITIONS TO BE FLASHED AND SEALED PER THE MANUFACTURER'S INSTALLATION INSTRUCTIONS AND RAS 133.



SCOTT WOLTERS
 FL PE# 62354
 WOLTERS ENGINEERING
 (COA# 27194)
 15211 97TH ROAD N
 WEST PALM BEACH, FL 33412
 (561) 225-1982



DWG: **ML15A20**
 SHEET: **2/2**

REV#	DATE	PRINTS ISSUED FOR
3	6/25/24	REVISION
2	5/1/24	REVISION
1	2/27/24	REVISION
-	1/4/24	TST SUBMITTAL