

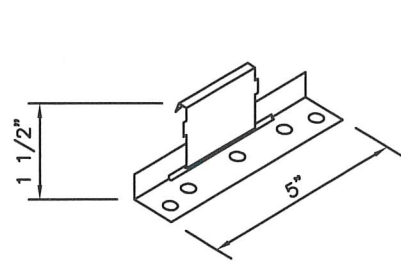
SENTRIGARD ML150 SERIES 24 Ga. STEEL ROOF PANEL

20" WIDE x 1 1/2" STANDING SEAM PANELS OVER 5/8" PLYWOOD

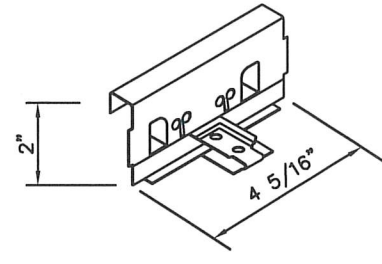
WITH SINGLE (90°) SEAM

CLIP TYPE	CLIP SPACING (in)	MAX DESIGN PRESSURE (psf)
STANDARD CLIP	12	-131
EXPANSION CLIP	12	-108.5
XL CLIP	12	-131

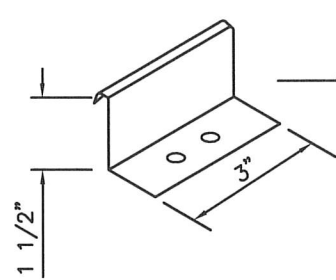
CLIP OPTIONS



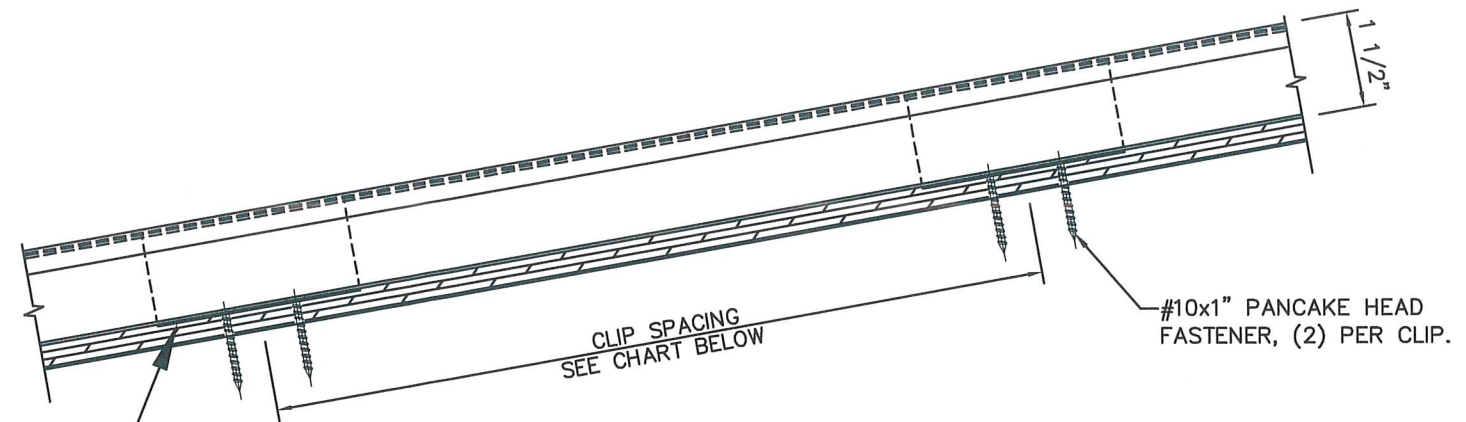
XL CLIP
26/24 Ga. GALVANIZED STEEL
or
26/24 Ga. STAINLESS STEEL



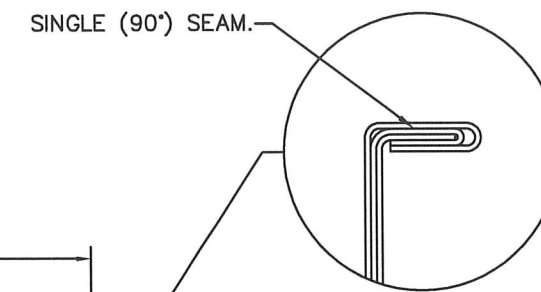
EXPANSION CLIP
16/22 Ga. GALVANIZED STEEL
or
16/22 Ga. STAINLESS STEEL



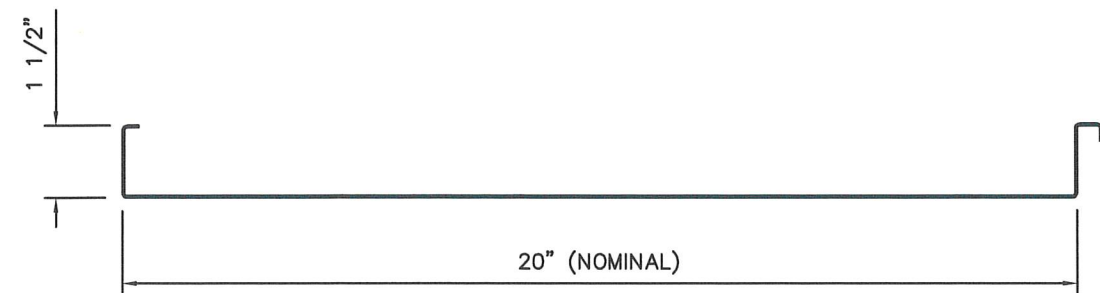
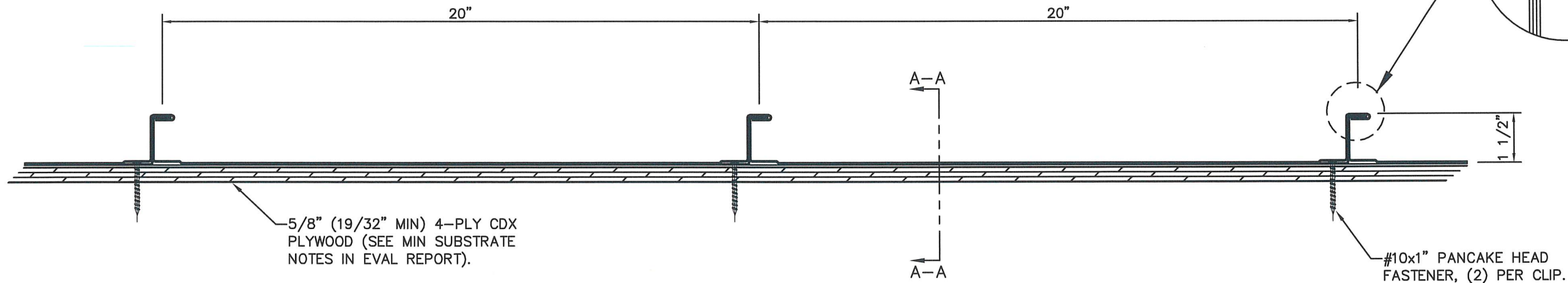
STANDARD CLIP
24 Ga. GALVANIZED STEEL
or
24 Ga. STAINLESS STEEL



SECTION A-A



SINGLE (90°) SEAM.



PANEL PROFILE

GENERAL NOTES:

1. ROOF SLOPE IS LIMITED PER THE REQUIREMENTS OF FBC SECTION 1507.4.2.
2. DESIGN OF SUBSTRATE IS BY OTHERS AND NOT A PART OF THIS APPROVAL.
3. SEE EVAL REPORT FOR UNDERLAYMENT, FIRE BARRIER, AND DECK FASTENER INFO.
4. ALL PANEL SYSTEM PERIMETERS, PENETRATIONS, AND TRANSITIONS TO BE FLASHED AND SEALED PER THE MANUFACTURER'S INSTALLATION INSTRUCTIONS AND RAS 133.



SCOTT WOLTERS
FL PE# 62354
WOLTERS ENGINEERING
(COA# 27194)
15211 97TH ROAD N
WEST PALM BEACH, FL 33412
(561) 225-1982

SENTRIGARD
METAL ROOFING SYSTEMS

PH: (434) 847-2445
www.sentrigard.com

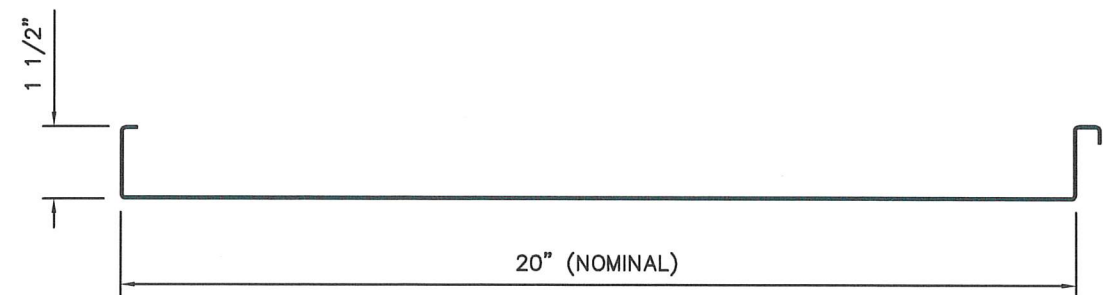
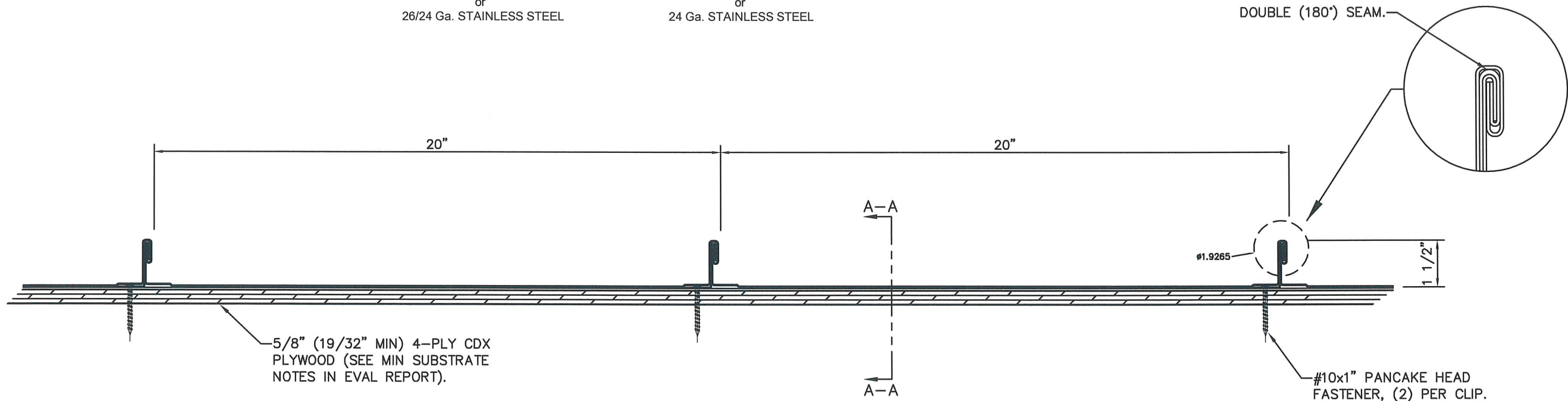
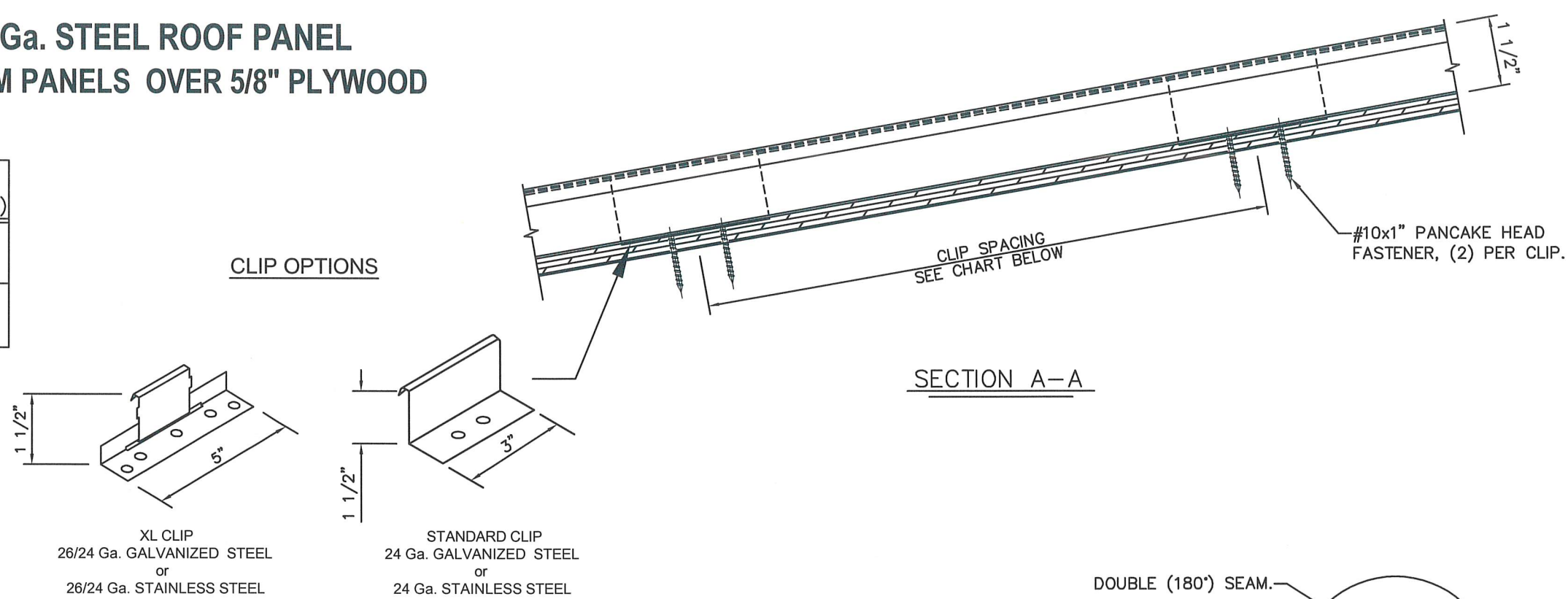
65 10TH STREET
LYNCHBURG, VA 24504

DWG: **ML15S20**
SHEET: **1/2**

REV.#	DATE	PRINTS ISSUED FOR
3	6/25/24	REVISION
2	5/1/24	REVISION
1	2/27/24	1ST SUBMITTAL

SENTRIGARD ML150 SERIES 24 Ga. STEEL ROOF PANEL
20" WIDE x 1 1/2" STANDING SEAM PANELS OVER 5/8" PLYWOOD
WITH DOUBLE (180°) SEAM

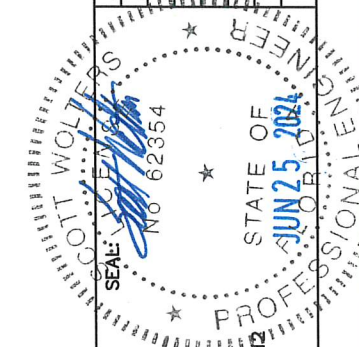
CLIP TYPE	CLIP SPACING (in)	MAX DESIGN PRESSURE (psf)
STANDARD CLIP	24	-101
	12	-168.5
	6	-198.5
XL CLIP	24	-101
	12	-168.5
	6	-198.5



PANEL PROFILE

GENERAL NOTES:

1. ROOF SLOPE IS LIMITED PER THE REQUIREMENTS OF FBC SECTION 1507.4.2.
2. DESIGN OF SUBSTRATE IS BY OTHERS AND NOT A PART OF THIS APPROVAL.
3. SEE EVAL REPORT FOR UNDERLAYMENT, FIRE BARRIER, AND DECK FASTENER INFO.
4. ALL PANEL SYSTEM PERIMETERS, PENETRATIONS, AND TRANSITIONS TO BE FLASHED AND SEALED PER THE MANUFACTURER'S INSTALLATION INSTRUCTIONS AND RAS 133.



SCOTT WALTERS
 FL PE# 62354
 WALTERS ENGINEERING
 (COA# 27194)
 15211 97TH ROAD N
 WEST PALM BEACH, FL 33412
 (561) 225-1982

SENTRIGARD
METAL ROOFING SYSTEMS



PH: (434) 847-2445
 www.sentrigard.com

65 10TH STREET
 LYNCHBURG, VA 24504

DWG: **ML15S20**
 SHEET: **2/2**

REV.#	DATE	ISSUED FOR
3	6/25/24	REVISION
2	5/1/24	REVISION
1	2/27/24	REVISION
-	1/4/24	1ST SUBMITTAL
-	1/4/24	PRINTS ISSUED